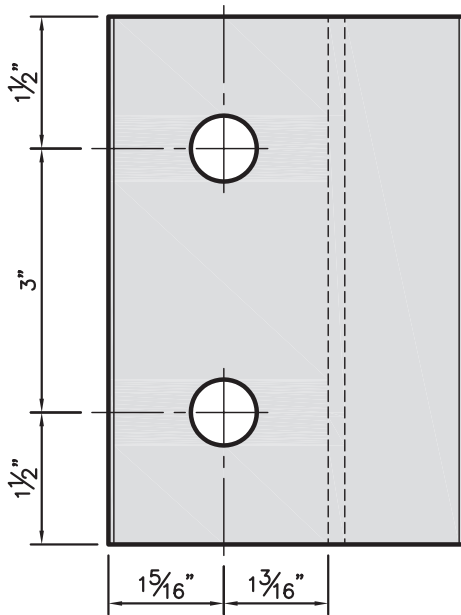
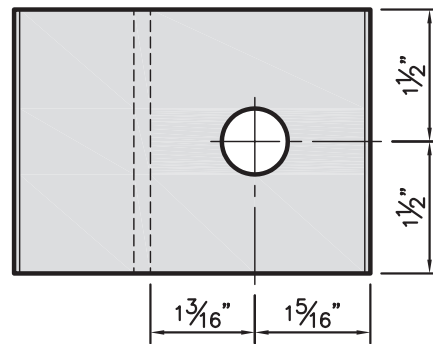


$$G = \text{Rail Base} + 2 \frac{1}{2}''$$



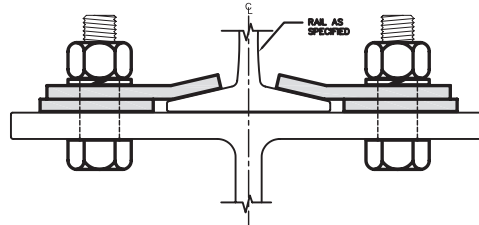
2 Hole Clamp



1 Hole Clamp



Normal spacing for 1 hole clamp and filler is one pair every 2 feet.



Normal spacing for 2 hole clamp and filler is one pair every 3 feet.